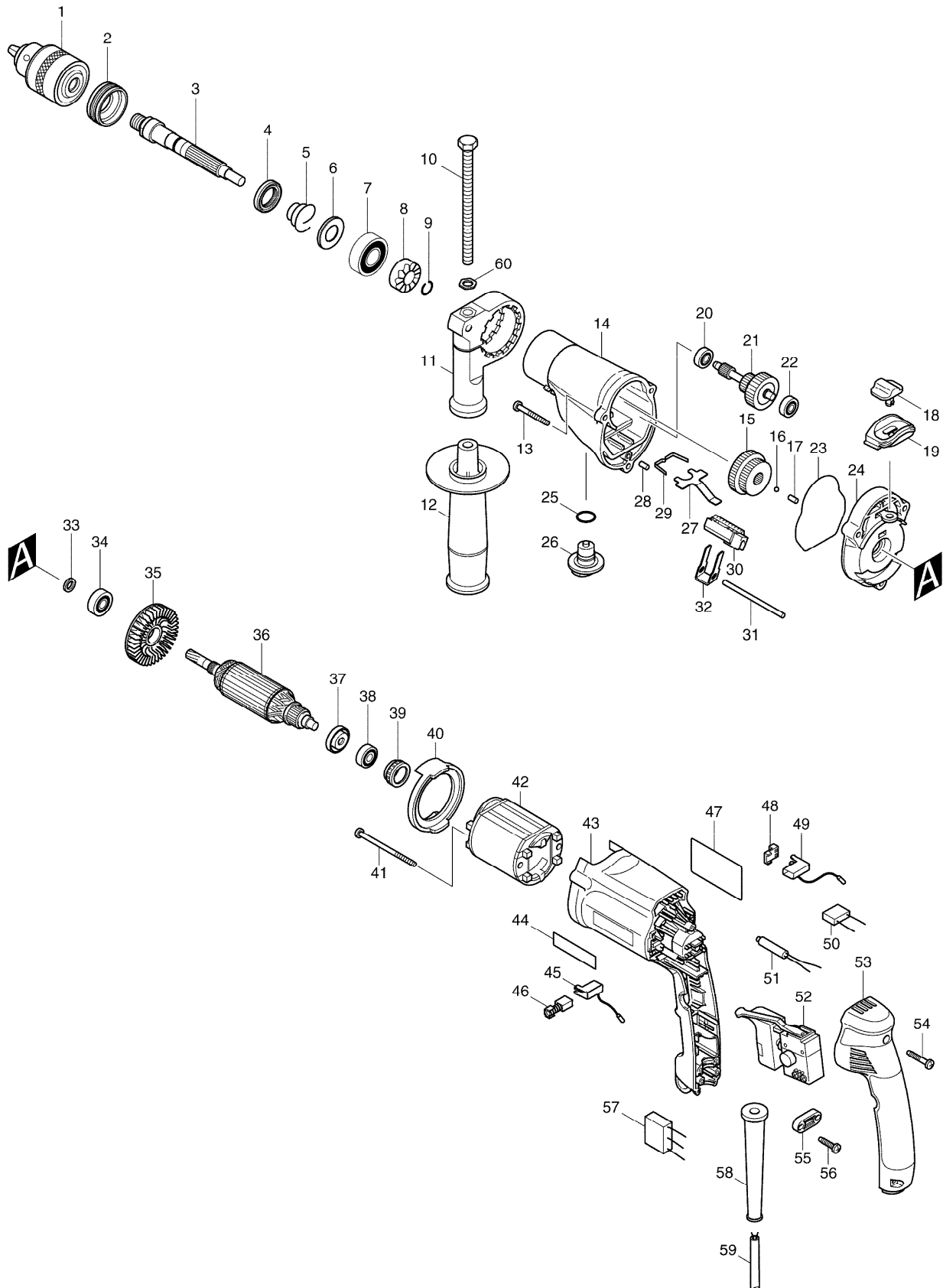


SERVICE DRAWING

MODEL NO. HP2050H



SPARE PARTS LIST

MODEL NO. HP2050

ITEM	PART NO.	DESCRIPTION	QTY	NOTE
001	*****	*****	***	*****
002	285839-4	BEARING RETAINER	1	
003	324247-5	SPINDLE	1	
004	213314-0	OIL SEAL 19	1	
005	233921-3	CONICAL COMPRESSION SPRING	1	
006	345224-4	CUP WASHER 15	1	
007	211206-7	BALL BEARING 6202LLB	1	
008	223137-8	CAM A	1	
009	233920-5	RING SPRING 11	1	
010	921923-8	HEX. BOLT M8x120	1	
011	*****	*****	***	*****
012	*****	*****	***	*****
013	266053-1	TAPPING SCREW 4x35	3	
014	153379-9	GEAR HOUSING COMPLETE	1	
015	227030-8	SPUR GEAR 29-37	1	
016	216001-0	STEEL BALL 3.5	1	
017	256251-5	PIN 4	1	
018	*****	*****	***	*****
019	417802-1	Lever Case	1	
020	*****	*****	***	*****
021	*****	*****	***	*****
022	*****	*****	***	*****
023	421810-6	SEAL RING	1	
024	*****	*****	***	*****
025	*****	*****	***	*****
026	417805-5	CHANGE LEVER B	1	
027	345225-2	LOCK PLATE	1	
028	256251-5	PIN 4	1	
029	232143-2	LEAF SPRING	1	
030	417804-7	RACK 12	1	
031	268092-7	PIN 4	1	
032	345223-6	CHANGE PLATE B	1	
033	262087-2	RING 8	1	
034	210005-4	BALL BEARING 608DDW	1	
035	241881-5	FAN 52	1	
036	517414-1	ARMATURE ASS'Y 220-240V INC. 33,34,35,37,38	1	
037	681636-0	INSULATION WASHER	1	
038	211021-9	BALL BEARING 607LLB	1	
039	421494-0	RUBBER RING 19	1	
040	417803-9	BAFFLE PLATE	1	
041	266060-4	TAPPING SCREW 4x65	2	
042	633528-9	FIELD 220-240V	1	
043	*****	*****	***	*****
044	819063-3	MAKITA LABEL	1	
045	643989-5	BRUSH HOLDER	1	
046	191962-4	CARBON BRUSH CB-419	1	
047	853858-4	NAME PLATE HP2050	1	
048	689111-0	SPACER	2	
049	643988-7	BRUSH HOLDER	1	
050	*****	*****	***	*****
051	646133-3	Choke Coil	1	
052	650524-2	SWITCH TG813ALB-2	1	
053	153284-0	HANDLE COVER COMPLETE	1	
054	265999-8	TAPPING SCREW 4x25	3	
055	*****	*****	***	*****

SPARE PARTS LIST

MODEL NO. HP2050

ITEM	PART NO.	DESCRIPTION	QTY	NOTE
056	265995-6	TAPPING SCREW 4x18	2	
057	645253-0	NOISE SUPPRESSOR	1	
058	682559-5	CORD GUARD 8	1	
059	*****	*****	***	*****
060	345280-4	Hex. Washer	1	
061	263002-9	RUBBER PIN 4	1	
A01	324219-0	DEPTH GAUGE	1	
A02	410102-8	KEY HOLDER	1	
A03	824650-5	PLASTIC CARRYING CASE	1	
A04	763430-3	CHUCK KEY S13	1	