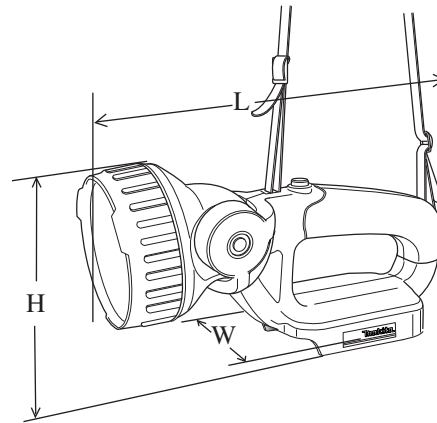


Models No. ▶ BML240

Description ▶ Rechargeable Flash Light

CONCEPTION AND MAIN APPLICATIONS

The newly developed 24 V battery provides incredible long continuous illumination time. When 24V / 3.0Ah battery (battery B2430) is used, the time is extended to approx. 320 minutes (5 hours). And equipped with adjustable head with which the irradiation angle can be adjusted in 4 stages at 0°, 45°, 90° and -20°.



► Specification

Battery type No.		B2430	B2417
Battery	Voltage (V)	24	
	Capacity (Ah)	3.0	1.7
	Energy (Wh)	72	40.8
	Kind of cell	Ni-MH	
Charging time with DC24SA: min.		Approx. 60	Approx. 30
Continuous illumination time: min.		Approx. 320	Approx. 180
** Illumination (lx)		6,000	
Brightness (lm)		210	
Bulb	Gas	Xenon	
	Voltage (V)	24	
	Current (A)	0.5	
	Service life (h)	Approx. over 50	
	Spare bulb	in the head	
Weight including battery: Kg (lbs)		1.98 (4.36)	1.48 (3.26)

Dimensions : mm (")	
Length (L)	275 10-7/8)
Height (H)	135 (7-5/8)
Width (W)	100 (4)

** Illumination (lx) : at the place which is 1m (3.3ft) distant from the flash light.

► Standard equipment

- * Spare bulb 1 pc.
- * Strap 1 pc.

< Note > The standard equipment for the tool shown may differ from country to country.

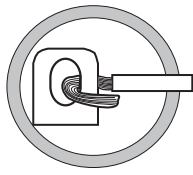
► Optional accessories

- * Spare bulb set (2 pcs. per pack)
- * Battery B2417
- * Battery B2430
- * Charger DC24SA

< 1 > Replacing terminals

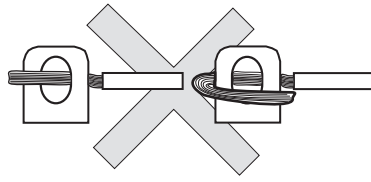
(1) Connecting lead wires with terminals

The lead wires have to be connected as illustrated in Fig. 1. And then, solder them.



Correct connection

Fig. 1



Wrong connection

Fig. 1A

(2) Connecting lead wires with switch

The lead wires have to be connected as illustrated in Fig. 2. And then, solder them.

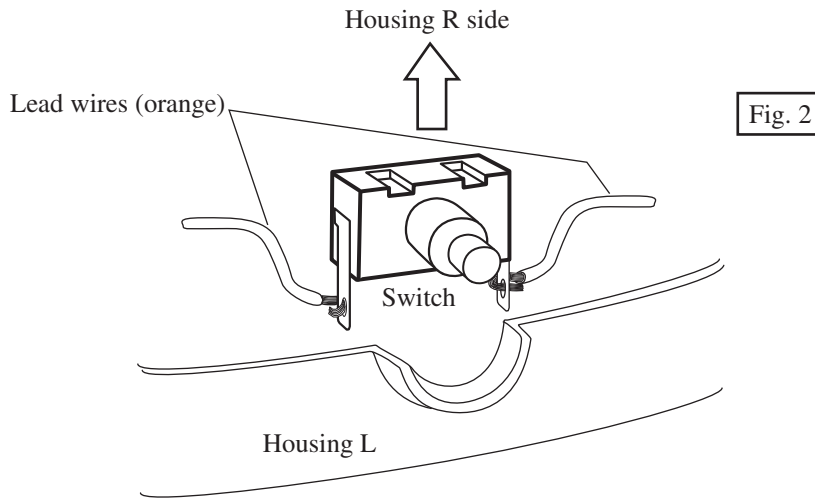
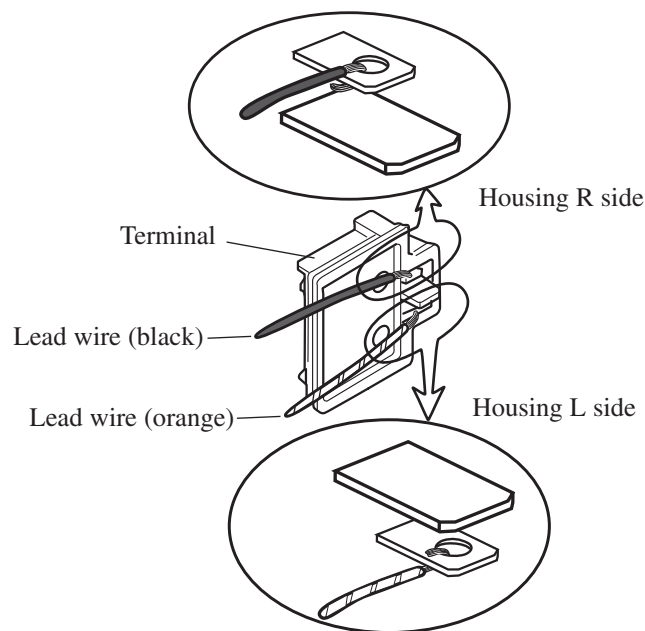




Fig. 2

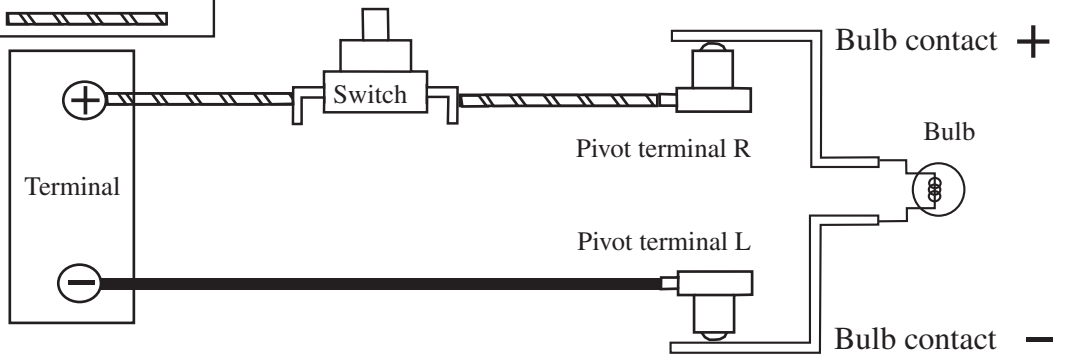
(3) Connecting lead wires with terminal

The lead wires have to be connected as illustrated in Fig. 3. And then, solder them.

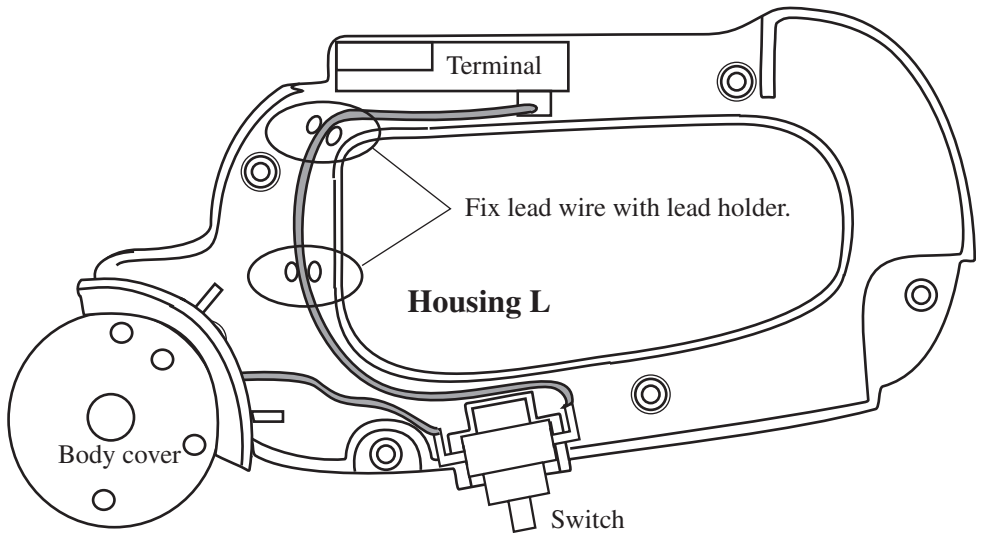
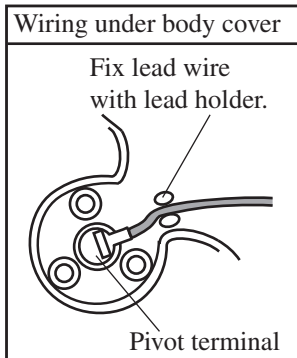
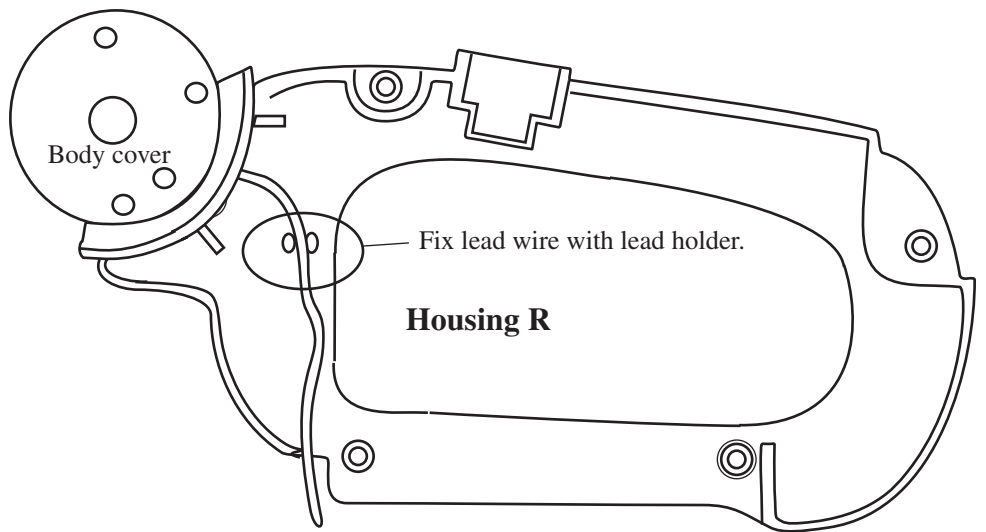
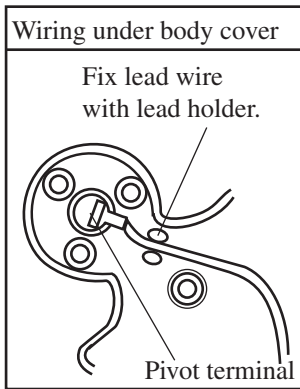


► **Circuit diagram**

Color index of lead wires	
Black	
Orange	



► **Wiring diagram**



< Note > **Be careful, not to pinch the lead wires, when assembling.**