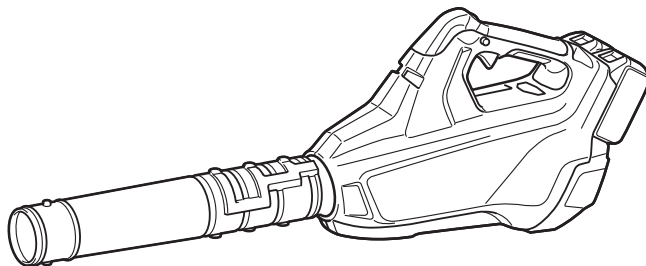
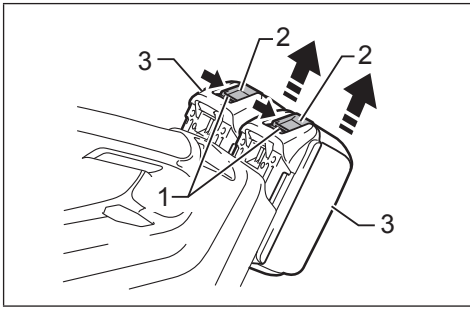




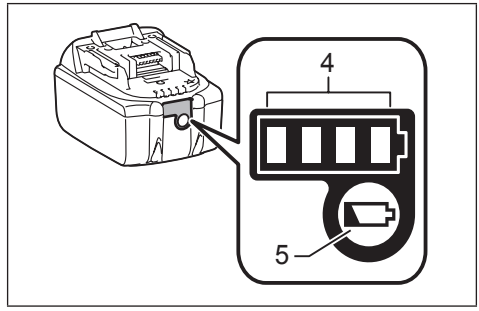
GB	Cordless Blower	Instruction Manual
F	SOUFFLEUR SANS FIL	Manuel d'instructions
D	Gebläse	Betriebsanleitung
I	Soffiatrice a batteria	Istruzioni per l'uso
NL	Accu Bladblazer	Gebruiksaanwijzing
E	Sopladora Inalámbrica	Manual de instrucciones
P	Soprador a Bateria	Manual de instruções
DK	Akku-blæser	Brugsanvisning
GR	Φυσητήρας μπαταρίας	Οδηγίες χρήσεως
TR	Akülü Üfleyici	Kullanma kılavuzu

DUB362

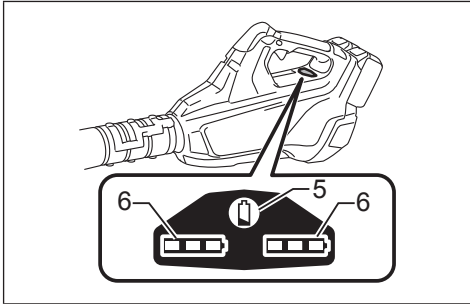




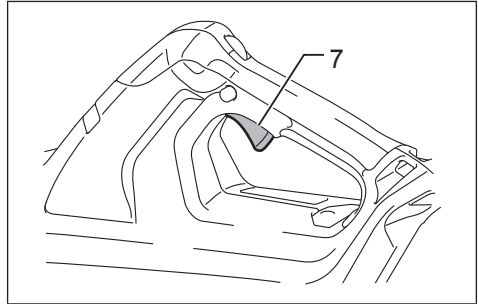
1 015475



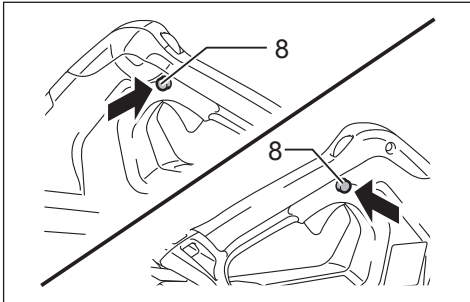
2 015676



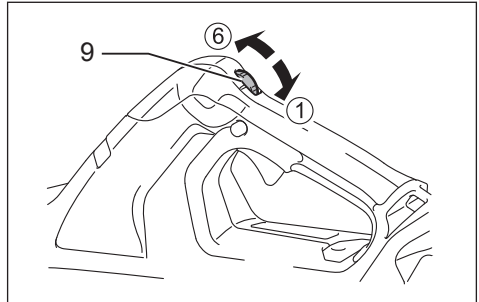
3 015476



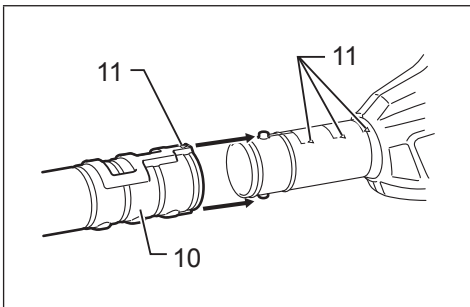
4 015478



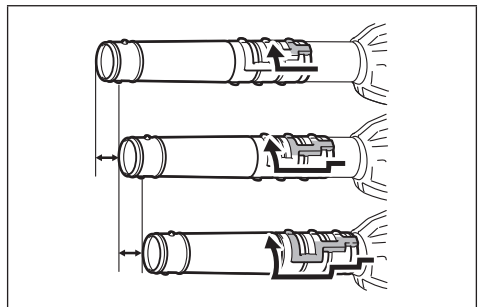
5 015479



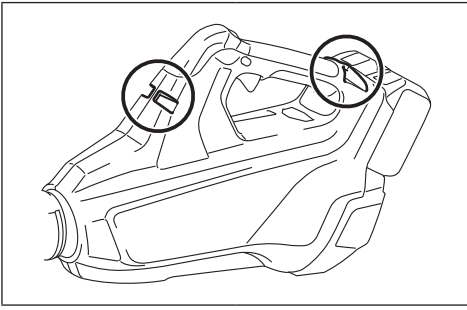
6 015477



7 015480

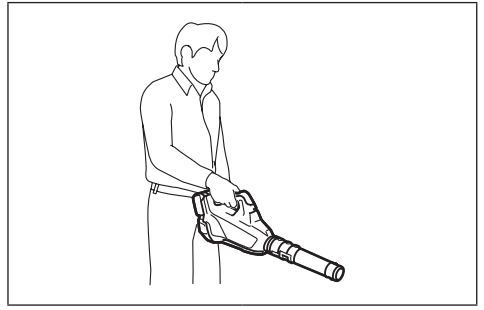


8 015481



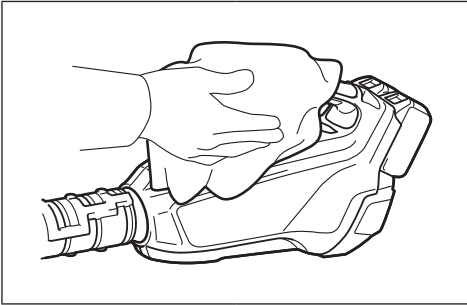
9

015482



10

015484



11

015483

WARNING: This appliance can be used by children aged from 8 years and above and persons with reduced physical, sensory or mental capabilities or lack of experience and knowledge if they have been given supervision or instruction concerning use of the appliance in a safe way and understand the hazards involved. Children shall not play with the appliance. Cleaning and user maintenance shall not be made by children without supervision.

Explanation of general view

1 Red indicator	5 Check button	9 Adjusting dial
2 Button	6 Battery indicator	10 Long nozzle
3 Battery cartridge	7 Switch trigger	11 Triangle marking
4 Indicator lamps	8 Lock button	

SPECIFICATIONS





Model		DUB362	
Capacities	Air volume (max.)	13.4 m ³ /min	
	Air speed	54.0 m/s	
Overall length	(without long nozzle)	585 mm	
	(with long nozzle)	830, 880, 930 mm	
Battery cartridge		BL1815N/BL1820/ BL1820B	BL1830/BL1840/BL1840B/ BL1850/BL1850B
Net weight		3.5 kg	4.1 kg
Rated voltage		D.C. 36 V	

- Due to our continuing program of research and development, the specifications herein are subject to change without notice.
- Specifications and battery cartridge may differ from country to country.
- Weight, with battery cartridge, according to EPTA-Procedure 01/2003

END012-4

Symbols

The following show the symbols used for the equipment. Be sure that you understand their meaning before use.

-  • Take particular care and attention.
-  • Read instruction manual.
-  • Keep a hand away from rotating parts.
-  • Danger; be aware of thrown objects.
-  • Keep bystanders away.
-  • Wear eye and ear protection.
-  • Do not expose to moisture.



- Only for EU countries
Do not dispose of electric equipment or battery pack together with household waste material!
In observance of the European Directives, on Waste Electric and Electronic Equipment and Batteries and Accumulators and Waste Batteries and Accumulators and their implementation in accordance with national laws, electric equipment and batteries and battery pack(s) that have reached the end of their life must be collected separately and returned to an environmentally compatible recycling facility.

ENE018-1

Intended use

The tool is intended for blowing dust.

ENB116-6

BLOWER SAFETY WARNINGS

Training

1. Read the instructions carefully. Be familiar with the controls and the proper use of the machine.
2. Never allow people children, persons with reduced physical, sensory or mental capabilities or lack of experience and knowledge or people unfamiliar with these instructions to use the machine. Local regulations may restrict the age of the operator.

3. Never operate the machine while people, especially children, or pets are nearby.
4. The operator or user is responsible for accidents or hazards occurring to other people or their property.

Preparation

5. While operating the machine, always wear substantial footwear and long trousers.
6. Do not wear loose clothing or jewellery that can be drawn into the air inlet. Keep long hair away from the air inlets.
7. Wear protective goggles while operating.
8. To prevent dust irritation the wearing of a face mask is recommended.
9. Never operate the machine with defective guards or shields, or without safety devices, or if the battery is damaged.
10. Use personal protective equipment. Always wear eye protection. Protective equipment such as dust mask, non-skid safety shoes, hard hat, or hearing protection used for appropriate conditions will reduce personal injuries.
22. To reduce damage from vibration and/or damage to the ears, operate the machine at low speed if possible and limit the time of operation.
23. Using rakes and brooms to loosen debris before blowing is recommended.
24. It is recommended to slightly dampen surfaces in dusty conditions or use mister attachment available on the market.
25. It is recommended to use the long nozzle so the air stream can work close to the ground.
26. Young children should be supervised to ensure that they do not play with the blower.
27. Do not insert fingers or other objects into suction inlet or blower outlet.
28. Prevent unintentional starting. Ensure the switch is in the off-position before connecting to power source and/or battery pack, picking up or carrying the tool. Carrying machines with your finger on the switch or energising machines that have the switch on invites accidents.
29. Make sure that there are nobody around you when you work at high places.

Operation

11. Always be sure that the machine is switched off and the battery cartridge is removed:
 - whenever you leave the machine;
 - before clearing a blockage;
 - before checking, cleaning or working on the machine;
 - after striking a foreign object to inspect the machine for damage;
 - if the machine starts to vibrate abnormally, for immediately check.
12. Operate the machine only in daylight or in good artificial light.
13. Do not overreach and keep your balance at all times.
14. Always be sure of your footing on slopes.
15. Walk, never run.
16. Do not touch moving hazardous parts before the machine is switched off and the battery cartridge is removed and the moving hazardous parts have come to a complete stop.
17. Never point the nozzle at anyone in the vicinity when using the blower.
18. Warning – Electric shock could occur if used on wet surfaces. Do not expose to rain. Store indoors. Avoid using the machine in bad weather conditions especially when there is a risk of lightning.
19. Never block suction inlet and/or blower outlet.
 - Do not block suction inlet or blower outlet to clean up in dusty areas.
 - Do not use the blower with a tapered nozzle smaller than the original one, such as a new nozzle obtained by attaching an extra diameter-reduced hose or smaller hose to the nozzle top end.
 - Do not Use the blower to inflate balls, rubber boat or the similar.

Increased motor revolution may cause dangerous fan breakage and result in serious personal injury. Heated motor and control circuit may cause a fire.
20. Do not operate the blower near open window, etc.
21. Operating the blower only at reasonable hours is recommended – not early in the morning or late at night when people might be disturbed.

Maintenance and storage

30. Keep all nuts, bolts and screws tight to be sure the machine is in safe working condition.
31. Replace worn or damaged parts.
32. Use only genuine replacement parts and accessories.
33. Store the machine only in a dry place.

Battery tool use and care

34. Recharge only with the charger specified by the manufacturer. A charger that is suitable for one type of battery pack may create a risk of fire when used with another battery pack.
35. Use power tools only with specifically designated battery packs. Use of any other battery packs may create a risk of injury and fire.
36. When battery pack is not in use, keep it away from other metal objects, like paper clips, coins, keys, nails, screws or other small metal objects, that can make a connection from one terminal to another. Shorting the battery terminals together may cause burns or a fire.
37. Under abusive conditions, liquid may be ejected from the battery; avoid contact. If contact accidentally occurs, flush with water. If liquid contacts eyes, additionally seek medical help. Liquid ejected from the battery may cause irritation or burns.

SAVE THESE INSTRUCTIONS.

WARNING:

DO NOT let comfort or familiarity with product (gained from repeated use) replace strict adherence to safety rules for the subject product. MISUSE or failure to follow the safety rules stated in this instruction manual may cause serious personal injury.

IMPORTANT SAFETY INSTRUCTIONS

FOR BATTERY CARTRIDGE

- Before using battery cartridge, read all instructions and cautionary markings on (1) battery charger, (2) battery, and (3) product using battery.
- Do not disassemble battery cartridge.
- If operating time has become excessively shorter, stop operating immediately. It may result in a risk of overheating, possible burns and even an explosion.
- If electrolyte gets into your eyes, rinse them out with clear water and seek medical attention right away. It may result in loss of your eyesight.
- Do not short the battery cartridge:
 - Do not touch the terminals with any conductive material.
 - Avoid storing battery cartridge in a container with other metal objects such as nails, coins, etc.
 - Do not expose battery cartridge to water or rain.

A battery short can cause a large current flow, overheating, possible burns and even a breakdown.
- Do not store the tool and battery cartridge in locations where the temperature may reach or exceed 50 °C (122 °F).
- Do not incinerate the battery cartridge even if it is severely damaged or is completely worn out. The battery cartridge can explode in a fire.
- Be careful not to drop or strike battery.
- Do not use a damaged battery.
- Follow your local regulations relating to disposal of battery.

SAVE THESE INSTRUCTIONS.

Tips for maintaining maximum battery life

- Charge the battery cartridge before completely discharged.
Always stop tool operation and charge the battery cartridge when you notice less tool power.
- Never recharge a fully charged battery cartridge. Overcharging shortens the battery service life.
- Charge the battery cartridge with room temperature at 10 °C – 40 °C (50 °F – 104 °F). Let a hot battery cartridge cool down before charging it.
- Charge the battery cartridge if you do not use it for a long period (more than six months).

FUNCTIONAL DESCRIPTION

⚠ CAUTION:

- Always be sure that the tool is switched off and the battery cartridge is removed before adjusting or checking function on the tool.

Installing or removing battery cartridge (Fig. 1)

⚠ CAUTION:

- Always switch off the tool before installing or removing of the battery cartridge.
- Hold the tool and the battery cartridge firmly when installing or removing battery cartridge.
Failure to hold the tool and the battery cartridge firmly may cause them to slip off your hands and result in damage to the tool and battery cartridge and a personal injury.

To remove the battery cartridge, slide it from the tool while sliding the button on the front of the cartridge.

To install the battery cartridge, align the tongue on the battery cartridge with the groove in the housing and slip it into place. Insert it all the way until it locks in place with a little click. If you can see the red indicator on the upper side of the button, it is not locked completely.

⚠ CAUTION:

- Always install the battery cartridge fully until the red indicator cannot be seen. If not, it may accidentally fall out of the tool, causing injury to you or someone around you.
- Do not install the battery cartridge forcibly. If the cartridge does not slide in easily, it is not being inserted correctly.

NOTE:

- The tool does not work with only one battery cartridge.

Tool / battery protection system

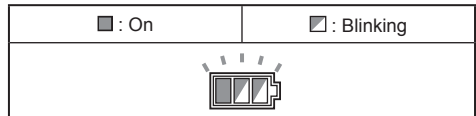
The tool is equipped with a tool/battery protection system. This system automatically cuts off power to the motor to extend tool and battery life.

The tool will automatically stop during operation if the tool or battery is placed under one of the following conditions. In some conditions, the indicators light up.

Overload protection

When the tool is operated in a manner that causes it to draw an abnormally high current, the tool automatically stops without any indication. In this situation, turn the tool off and stop the application that caused the tool to become overloaded. Then turn the tool on to restart.

Overheat protection for tool



015485

When the tool is overheated, the tool stops automatically, the battery indicator blink about 60 seconds. In this situation, let the tool cool down before turning the tool on again.

Overdischarge protection

When the battery capacity becomes low, the tool stops automatically. If the product does not operate even when the switches are operated, remove the batteries from the tool and charge the batteries.

Indicating the remaining battery capacity (Fig. 2)

(Only for battery cartridges with "B" at the end of the model number.)

Press the check button on the battery cartridge to indicate the remaining battery capacity. The indicator lamps light up for few seconds.

Indicator lamps			Remaining capacity
Lighted	Off	Blinking	
■	□	◐	75% to 100%
■	■	■	
■	■	□	50% to 75%
■	■	□	25% to 50%
■	□	□	0% to 25%
◐	□	□	Charge the battery.
■	■	□	The battery may have malfunctioned.
□	□	■	

015658

NOTE:

- Depending on the conditions of use and the ambient temperature, the indication may differ slightly from the actual capacity.

Remaining battery capacity indication (Fig. 3)

(Country specific)

Press the check button to make the battery indicators show the remaining battery capacities. The battery indicators correspond to each battery.

Remaining battery capacity indication

Battery indicator status	Remaining battery capacity
■ : On □ : Off ◐ : Blinking	
	50% – 100%
	20% – 50%
	0% – 20%
	Charge the battery

015527

Switch action (Fig. 4 & 5)

⚠ CAUTION:

- Before inserting the battery cartridge into the tool, always check to see that the switch trigger actuates properly and returns to the “OFF” position when released.

To start the tool, simply pull the switch trigger. Tool speed is increased by increasing pressure on the switch trigger. Release the switch trigger to stop.

For continuous operation, pull the switch trigger, push in the lock button and then release the switch trigger. To stop the tool from the locked position, pull the switch trigger fully, then release it.

Speed change (Fig. 6)

The maximum air volume can be adjusted just by turning the adjusting dial. This can be done even while the tool is running. The dial is marked 1 (lowest) to 6 (highest).

NOTICE:

- The speed adjusting dial can be turned only as far as 6 and back to 1. Do not force it past 6 or 1, or the speed adjusting function may no longer work. When working in a high temperature circumstance, the tool may be stopped because of the overheat protection system. In that case let the tool cool down. Avoid setting to speed 6 (highest) in high temperature circumstances.

ASSEMBLY

⚠ CAUTION:

- Always be sure that the tool is switched off and the battery cartridge is removed before carrying out any work on the tool.

Installing the long nozzle (Fig. 7 & 8)

To install the long nozzle:

- Align the small projection of the housing with the groove of the long nozzle.
- Slide in the long nozzle, and turn it clockwise until the triangle markings on the long nozzle and the housing meet each other.

The length of the nozzle can be adjusted by changing the locking position.

Installing the shoulder strap (optional accessory) (Fig. 9)

Hook the shoulder strap onto the hanger of the tool. Before use, adjust the length of strap so that it is easy to work with it.

OPERATION

Blowing (Fig. 10)

⚠ CAUTION:

- Do not place the blower on the ground while it is switched on. Sand or dust may enter from suction inlet, and they may result in personal injury.

Hold the blower firmly with a hand and perform the blowing operation by moving it around slowly.

When blowing around a building, a big stone or a vehicle, direct the nozzle away from them.

When performing an operation in corner, start from the corner and then move to wide area.

MAINTENANCE

ENG900-1

⚠ CAUTION:

- Always be sure that the tool is switched off and the battery cartridge is removed before attempting to perform inspection or maintenance.
- Never use gasoline, benzine, thinner, alcohol or the like. Discoloration, deformation or cracks may result.

Cleaning (Fig. 11)

From time to time, wipe off the outside of the tool using a cloth dampened in soapy water.

To maintain product SAFETY and RELIABILITY, repairs, any other maintenance or adjustment should be performed by Makita Authorized Service Centers, always using Makita replacement parts.

OPTIONAL ACCESSORIES

⚠ CAUTION:

- These accessories or attachments are recommended for use with your Makita tool specified in this manual. The use of any other accessories or attachments might present a risk of injury to persons. Only use accessory or attachment for its stated purpose.

If you need any assistance for more details regarding these accessories, ask your local Makita Service Center.

- Makita genuine battery and charger
- Shoulder belt

NOTE:

- Some items in the list may be included in the tool package as standard accessories. They may differ from country to country.

ENG108-1

Noise

The typical A-weighted noise level determined according to EN50636:

Sound pressure level (L_{pA}): 79.1 dB (A)
Uncertainty (K): 1.8 dB (A)
Sound power level (L_{wA}): 93.5 dB (A)
Uncertainty (K): 2.3 dB (A)

Wear ear protection

Vibration

The vibration total value (tri-axial vector sum) determined according to EN50636:

Work mode: operation without load
Vibration emission (a_h): 2.5 m/s² or less
Uncertainty (K): 1.5 m/s²

ENG901-1

- The declared vibration emission value has been measured in accordance with the standard test method and may be used for comparing one tool with another.
- The declared vibration emission value may also be used in a preliminary assessment of exposure.

⚠ WARNING:

- The vibration emission during actual use of the power tool can differ from the declared emission value depending on the ways in which the tool is used.
- Be sure to identify safety measures to protect the operator that are based on an estimation of exposure in the actual conditions of use (taking account of all parts of the operating cycle such as the times when the tool is switched off and when it is running idle in addition to the trigger time).

ENH021-8

For European countries only

EC Declaration of Conformity

Makita declares that the following Machine(s):

Designation of Machine:
Cordless Blower
Model No./ Type: DUB362
Specifications: see "SPECIFICATIONS" table.

Conforms to the following European Directives:

2000/14/EC, 2006/42/EC

They are manufactured in accordance with the following standard or standardized documents:
EN15503

The technical file in accordance with 2006/42/EC is available from:

Makita, Jan-Baptist Vinkstraat 2, 3070, Belgium

The conformity assessment procedure required by Directive 2000/14/EC was in Accordance with annex V.

Measured Sound Power Level: 93.5 dB (A)

Guaranteed Sound Power Level: 96 dB (A)

2.9.2014



Yasushi Fukaya
Director

Makita, Jan-Baptist Vinkstraat 2, 3070, Belgium

WARNUNG: Dieses Gerät kann von Kindern ab 8 Jahren und Personen mit verminderten körperlichen, sensorischen oder geistigen Fähigkeiten oder Mangel an Erfahrung und Kenntnissen benutzt werden, sofern sie eine Beaufsichtigung oder Anweisung bezüglich des sicheren Gebrauchs des Gerätes erhalten haben und die damit verbundenen Gefahren verstehen. Kinder dürfen nicht mit dem Gerät spielen. Reinigung und Benutzerwartung dürfen nicht von Kindern ohne Beaufsichtigung durchgeführt werden.

Erläuterung der Gesamtansicht

- | | | |
|-----------------|----------------------|-----------------------|
| 1 Rote Anzeige | 5 Prüftaste | 9 Stellrad |
| 2 Knopf | 6 Akku-Anzeige | 10 Lange Düse |
| 3 Akku | 7 Elektronikschalter | 11 Dreiecksmarkierung |
| 4 Anzeigelampen | 8 Arretierknopf | |

TECHNISCHE DATEN

Modell		DUB362	
Kapazitäten	Luftvolumen (max.)	13,4 m³/min	
	Luftgeschwindigkeit	54,0 m/s	
Gesamtlänge	(ohne lange Düse)	585 mm	
	(mit langer Düse)	830, 880, 930 mm	
Akku		BL1815N/BL1820/ BL1820B	BL1830/BL1840/BL1840B/ BL1850/BL1850B
Nettogewicht		3,5 kg	4,1 kg
Nennspannung		DC 36 V	

- Aufgrund unseres Dauerprogramms der Forschung und Entwicklung unterliegen die hier angegebenen technischen Daten Änderung ohne Vorankündigung.
- Die technischen Daten und der Akku können von Land zu Land unterschiedlich sein.
- Gewicht mit Akku nach EPTA-Verfahren 01/2003



- Nur für EU-Länder
Werfen Sie Elektrogeräte oder Akkus nicht in den Hausmüll!
Unter Einhaltung der Europäischen Richtlinie über Elektro- und Elektronik-Altgeräte, Batterien, Akkus sowie verbrauchte Batterien und Akkus und ihre Umsetzung gemäß den Landesgesetzen müssen Elektrogeräte und Batterien bzw. Akkus, die das Ende ihrer Lebensdauer erreicht haben, getrennt gesammelt und einer umweltgerechten Recycling-Einrichtung zugeführt werden.

END012-4

Symbole

Nachfolgend werden die für das Gerät verwendeten Symbole beschrieben. Machen Sie sich vor der Benutzung mit ihrer Bedeutung vertraut.

- Besondere Umsicht und Aufmerksamkeit erforderlich.
- Gebrauchsanleitung lesen.
- Hände von rotierenden Teilen fernhalten.
- Gefahr; durch herausgeschleuderte Objekte.
- Umstehende Personen fern halten.
- Augen- und Gehörschutz tragen.
- Keiner Feuchtigkeit aussetzen.

ENE018-1

Verwendungszweck

Das Werkzeug ist für das Wegblasen von Staub vorgesehen.

ENB116-6

SICHERHEITSWARNUNGEN FÜR GEBLÄSE

Einarbeitung

1. Lesen Sie diese Anweisungen aufmerksam durch. Machen Sie sich mit der Bedienung und dem korrekten Gebrauch der Maschine vertraut.

2. Lassen Sie niemals zu, dass Kinder, Personen mit verminderten körperlichen, sensorischen oder geistigen Fähigkeiten oder Mangel an Erfahrung und Kenntnissen, oder Personen, die nicht mit diesen Anweisungen vertraut sind, die Maschine benutzen. Das Mindestalter für den Benutzer kann durch örtliche Vorschriften eingeschränkt sein.
3. Betreiben Sie die Maschine keinesfalls, während sich Personen, besonders Kinder, oder Haustiere in der Nähe aufhalten.
4. Der Bediener oder Benutzer ist verantwortlich für Verletzungen oder Sachschäden, die an Personen oder ihrem Eigentum entstehen.
19. Blockieren Sie niemals den Saugeinlass und/oder den Gebläseauslass.
 - Blockieren Sie nicht den Saugeinlass oder Gebläseauslass bei Säuberungsarbeiten in staubiger Umgebung.
 - Benutzen Sie das Blasgerät nicht mit einer konischen Düse, die kleiner als die Originaldüse ist, z. B. eine neue Düse, die durch Anbringen eines zusätzlichen Schlauchs mit reduziertem Durchmesser oder eines kleineren Schlauchs an der Düsenspitze erhalten wird.
 - Benutzen Sie das Gebläse nicht, um Bälle, Gummiboote oder dergleichen aufzublasen.

Vorbereitung

5. Tragen Sie während der Benutzung der Maschine stets kräftiges Schuhwerk und eine lange Hose.
6. Tragen Sie keine losen Kleidungsstücke oder Schmucksachen, die in den Lufteinlass eingesaugt werden könnten. Halten Sie langes Haar von den Lufteinlässen fern.
7. Tragen Sie eine Schutzbrille während der Arbeit.
8. Um eine Reizung der Atemwege durch Staub zu verhindern, wird das Anlegen einer Atemmaske empfohlen.
9. Betreiben Sie die Maschine niemals mit defekten Schutzhauben oder Abschirmungen oder ohne Sicherheitsvorrichtungen, oder wenn der Akku beschädigt ist.
10. Benutzen Sie Schutzausrüstung. Tragen Sie stets einen Augenschutz. Sachgemäßer Gebrauch von Schutzausrüstung (z. B. Staubmaske, rutschfeste Sicherheitsschuhe, Helm und Gehörschutz) trägt zu einer Reduzierung der Verletzungsgefahr bei.
20. Betreiben Sie das Blasgerät nicht in der Nähe eines offenen Fensters usw.
21. Es wird empfohlen, das Blasgerät nur zu normalen Zeiten zu betreiben – nicht früh morgens oder spät abends, wenn Leute gestört werden könnten.
22. Um Schäden durch Vibration und/oder Gehörschäden zu verringern, betreiben Sie die Maschine möglichst mit niedriger Drehzahl, und begrenzen Sie die Betriebszeit.
23. Es wird empfohlen, Rechen und Besen zu benutzen, um Unrat vor dem Blasen aufzulockern.
24. Bei staubigen Verhältnissen wird empfohlen, die Oberflächen leicht anzufeuchten oder eine im Handel erhältliche Sprühvorrichtung zu benutzen.
25. Es wird empfohlen, die lange Düse zu benutzen, damit der Luftstrom nahe am Boden wirken kann.

Betrieb

11. Vergewissern Sie sich stets, dass die Maschine ausgeschaltet und der Akku abgenommen ist:
 - wann immer Sie die Maschine verlassen;
 - bevor Sie eine Blockierung beseitigen;
 - bevor Sie die Maschine überprüfen, reinigen oder daran arbeiten;
 - nachdem Sie auf einen Fremdkörper gestoßen sind, um die Maschine auf Beschädigung zu untersuchen;
 - falls die Maschine beginnt, ungewöhnlich heftig zu vibrieren (sofort überprüfen).
12. Betreiben Sie die Maschine nur bei Tageslicht oder hellem Kunstlicht.
13. Übernehmen Sie sich nicht, und behalten Sie stets Ihr Gleichgewicht bei.
14. Achten Sie an Hängen immer auf einen sicheren Stand.
15. Bei der Arbeit immer gehen, niemals laufen.
16. Berühren Sie keine sich bewegenden gefährlichen Teile, bevor die Maschine ausgeschaltet wird, der Akku abgenommen wird, und die sich bewegenden gefährlichen Teile zum vollständigen Stillstand gekommen sind.
17. Richten Sie die Düse während der Benutzung des Blasgeräts niemals auf Personen in der Nähe.
18. Warnung – Bei Benutzung auf nassen Oberflächen kann ein elektrischer Schlag auftreten. Das Gerät keinem Regen aussetzen. In Innenräumen aufbewahren. Vermeiden Sie die Benutzung der Maschine bei schlechten Witterungsverhältnissen, besonders bei Blitzschlaggefahr.
26. Kleine Kinder sollten beaufsichtigt werden, um sicherzugehen, dass sie nicht mit dem Blasgerät spielen.
27. Stecken Sie keine Finger oder andere Gegenstände in den Saugeinlass oder Gebläseauslass.
28. Unbeabsichtigtes Einschalten verhindern. Vergewissern Sie sich, dass sich der Ein-Aus-Schalter in der Aus-Stellung befindet, bevor Sie die Stromquelle und/oder den Akku anschließen bzw. die Maschine aufheben oder tragen. Das Tragen von Maschinen mit dem Finger am Ein-Aus-Schalter oder das Anschließen bei eingeschaltetem Ein-Aus-Schalter führt zu Unfällen.
29. Vergewissern Sie sich, dass sich keine Personen im Umfeld aufhalten, wenn Sie an hoch gelegenen Orten arbeiten.

Wartung und Lagerung

30. Halten Sie alle Muttern, Bolzen und Schrauben fest angezogen, um sicherzugehen, dass sich die Maschine in gutem Betriebszustand befindet.
31. Tauschen Sie verschlissene oder beschädigte Teile aus.
32. Verwenden Sie nur Original-Ersatzteile und -Zubehör.
33. Bewahren Sie die Maschine nur an einem trockenen Ort auf.

Gebrauch und Pflege von Akkwerkzeugen

34. Laden Sie den Akku nur mit dem vom Hersteller vorgeschriebenen Ladegerät. Ein Ladegerät, das für einen Akkutyp geeignet ist, kann bei Verwendung mit einem anderen Akku eine Brandgefahr darstellen.

35. Benutzen Sie Elektrowerkzeuge nur mit den ausdrücklich vorgeschriebenen Akkus. Bei Verwendung irgendwelcher anderer Akkus besteht Verletzungs- und Brandgefahr.
 36. Bewahren Sie den Akku bei Nichtgebrauch nicht zusammen mit Metallgegenständen, wie Büroklammern, Münzen, Schlüsseln, Nägeln, Schrauben, und anderen kleinen Metallteilen auf, welche die Kontakte kurzschließen können. Kurzschließen der Akkukontakte kann Verbrennungen oder einen Brand verursachen.
 37. Bei Missbrauch kann Flüssigkeit aus dem Akku austreten. Vermeiden Sie Kontakt mit dieser Flüssigkeit. Falls Sie versehentlich mit der Flüssigkeit in Berührung kommen, spülen Sie die betroffenen Stellen mit Wasser ab. Falls die Flüssigkeit in die Augen gelangt, suchen Sie zusätzlich ärztliche Hilfe auf. Die vom Akku austretende Flüssigkeit kann Hautreizungen oder Verätzungen verursachen.
7. **Versuchen Sie niemals, den Akku zu verbrennen, selbst wenn er stark beschädigt oder vollkommen verbraucht ist. Der Akku kann im Feuer explodieren.**
 8. **Achten Sie darauf, dass der Akku nicht fallen gelassen oder Stößen ausgesetzt wird.**
 9. **Benutzen Sie keine beschädigten Akkus.**
 10. **Befolgen Sie die örtlichen Bestimmungen bezüglich der Entsorgung von Akkus.**

DIESE ANWEISUNGEN AUFBEWAHREN.

Hinweise zur Aufrechterhaltung der maximalen Akku-Nutzungsdauer

1. **Laden Sie den Akku, bevor er vollkommen erschöpft ist.**
Schalten Sie die Maschine stets aus, und laden Sie den Akku, wenn Sie ein Nachlassen der Maschinenleistung feststellen.
2. **Unterlassen Sie das erneute Laden eines voll aufgeladenen Akkus. Überladen führt zu einer Verkürzung der Nutzungsdauer des Akkus.**
3. **Laden Sie den Akku bei Raumtemperatur zwischen 10 – 40 °C. Lassen Sie einen heißen Akku abkühlen, bevor Sie ihn laden.**
4. **Der Akku muss geladen werden, wenn er lange Zeit (länger als sechs Monate) nicht benutzt wird.**

DIESE ANWEISUNGEN AUFBEWAHREN.

⚠️ WARNUNG:

Lassen Sie sich **NICHT** durch Bequemlichkeit oder Vertrautheit mit dem Produkt (durch wiederholten Gebrauch erworben) von der strikten Einhaltung der Sicherheitsregeln für das vorliegende Produkt abhalten. **MISSBRAUCH** oder Missachtung der Sicherheitsvorschriften in dieser Anleitung können schwere Verletzungen verursachen.

ENC007-9

WICHTIGE SICHERHEITSVORSCHRIFTEN

FÜR AKKU

1. **Lesen Sie vor der Benutzung des Akkus alle Anweisungen und Warnhinweise, die an (1) Ladegerät, (2) Akku und (3) Akkuwerkzeug angebracht sind.**
2. **Unterlassen Sie ein Zerlegen des Akkus.**
3. **Falls die Betriebszeit beträchtlich kürzer geworden ist, stellen Sie den Betrieb sofort ein. Anderenfalls besteht die Gefahr von Überhitzung, möglichen Verbrennungen und sogar einer Explosion.**
4. **Falls Elektrolyt in Ihre Augen gelangt, waschen Sie sie mit sauberem Wasser aus, und suchen Sie unverzüglich ärztliche Hilfe auf. Anderenfalls können Sie erblinden.**
5. **Der Akku darf nicht kurzgeschlossen werden:**
 - (1) **Die Kontakte dürfen nicht mit leitfähigem Material berührt werden.**
 - (2) **Lagern Sie den Akku nicht in einem Behälter zusammen mit anderen Metallgegenständen, wie z. B. Nägel, Münzen usw.**
 - (3) **Setzen Sie den Akku weder Wasser noch Regen aus.**

Ein Kurzschluss des Akkus kann einen starken Stromfluss, Überhitzung, mögliche Verbrennungen und sogar einen Ausfall verursachen.
6. **Lagern Sie Werkzeug und Akku nicht an Orten, an denen die Temperatur 50 °C erreichen oder überschreiten kann.**

FUNKTIONSBESCHREIBUNG

⚠️ VORSICHT:

- Vergewissern Sie sich vor der Durchführung von Einstellungen oder Funktionsprüfungen des Werkzeugs stets, dass das Werkzeug ausgeschaltet und der Akku abgenommen ist.

Anbringen und Abnehmen des Akkus (Abb. 1)

⚠️ VORSICHT:

- Schalten Sie stets das Werkzeug aus, bevor Sie den Akku anbringen oder abnehmen.
- **Halten Sie Werkzeug und Akku beim Anbringen oder Abnehmen des Akkus sicher fest.**
Wenn Sie Werkzeug und Akku nicht sicher festhalten, können sie Ihnen aus der Hand rutschen, was zu einer Beschädigung des Werkzeugs und des Akkus und zu Körperverletzungen führen kann.

Ziehen Sie den Akku zum Abnehmen vom Werkzeug ab, während Sie den Knopf an der Vorderseite des Akkus verschieben.

Richten Sie zum Anbringen des Akkus dessen Führungsfeder auf die Führungsnut im Gehäuse aus, und schieben Sie den Akku hinein. Schieben Sie ihn vollständig ein, bis er mit einem hörbaren Klicken einrastet. Falls die rote Anzeige an der Oberseite des Knopfes sichtbar ist, ist der Akku nicht vollständig verriegelt.

⚠️ VORSICHT:

- Schieben Sie den Akku stets bis zum Anschlag ein, bis die rote Anzeige nicht mehr sichtbar ist. Anderenfalls kann er versehentlich aus dem Werkzeug herausfallen und Sie oder umstehende Personen verletzen.
- Unterlassen Sie Gewaltanwendung beim Anbringen des Akkus. Falls der Akku nicht reibungslos hineingleitet, ist er nicht richtig ausgerichtet.

HINWEIS:

- Das Werkzeug funktioniert nicht mit nur einem Akku.

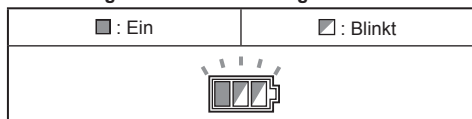
Werkzeug/Akku-Schutzsystem

Das Werkzeug ist mit einem Werkzeug/Akku-Schutzsystem ausgestattet. Dieses System schaltet die Stromversorgung des Motors automatisch ab, um die Lebensdauer von Werkzeug und Akku zu verlängern. Das Werkzeug bleibt während des Betriebs automatisch stehen, wenn das Werkzeug oder der Akku einer der folgenden Bedingungen unterliegt. Bei manchen Bedingungen leuchten die Anzeigen auf.

Überlastschutz

Wird das Werkzeug auf eine Weise benutzt, die eine ungewöhnlich hohe Stromaufnahme bewirkt, bleibt es ohne jegliche Anzeige automatisch stehen. Schalten Sie in dieser Situation das Werkzeug aus, und brechen Sie die Arbeit ab, die eine Überlastung des Werkzeugs verursacht hat. Schalten Sie dann das Werkzeug wieder ein, um die Arbeit fortzusetzen.

Überhitzungsschutz für Werkzeug



015485

Wenn das Werkzeug überhitzt wird, bleibt es automatisch stehen, und die Akku-Anzeige blinkt etwa 60 Sekunden lang. Lassen Sie das Werkzeug in dieser Situation abkühlen, bevor Sie es wieder einschalten.

Überentladungsschutz

Wenn die Akkukapazität niedrig wird, schaltet sich das Werkzeug automatisch aus. Falls das Produkt trotz Betätigung der Schalter nicht funktioniert, entfernen Sie die Akkus vom Werkzeug, und laden Sie sie auf.

Anzeigen der Akku-Restkapazität (Abb. 2)

(Nur für Akkus mit "B" am Ende der Modellnummer.)

Drücken Sie die Prüftaste am Akku, um die Akku-Restkapazität anzuzeigen. Die Anzeigelampen leuchten wenige Sekunden lang auf.

Anzeigelampen			Restkapazität
Erleuchtet	Aus	Blinkend	
			75% bis 100%
			50% bis 75%
			25% bis 50%
			0% bis 25%
			Den Akku aufladen.
			Möglicherweise liegt eine Funktionsstörung im Akku vor.

015658

HINWEIS:

- Abhängig von den Benutzungsbedingungen und der Umgebungstemperatur kann die Anzeige geringfügig von der tatsächlichen Kapazität abweichen.

Akku-Restkapazitätsanzeige (Abb. 3)

(Länderspezifisch)

Drücken Sie die Prüftaste, um die Akku-Restkapazität auf den Akku-Anzeigen anzuzeigen. Jedem Akku sind eigene Akku-Anzeigen zugeordnet.

Akku-Restkapazitätsanzeige

Status der Akku-Anzeige	Akku-Restkapazität
: Ein : Aus : Blinkt	
	50% – 100%
	20% – 50%
	0% – 20%
	Akku aufladen

015527

Schalterfunktion (Abb. 4 und 5)

⚠ VORSICHT:

- Vergewissern Sie sich vor dem Einsetzen des Akkus in das Werkzeug stets, dass der Elektronikschalter ordnungsgemäß funktioniert und beim Loslassen in die AUS-Stellung zurückkehrt.

Drücken Sie zum Einschalten des Werkzeugs einfach den Elektronikschalter. Die Drehzahl erhöht sich durch verstärkte Druckausübung auf den Elektronikschalter. Lassen Sie den Elektronikschalter zum Anhalten los.

Für Dauerbetrieb den Elektronikschalter betätigen, den Arretierknopf hineindrücken, und dann den Elektronikschalter loslassen. Zum Ausrasten der Sperre den Elektronikschalter bis zum Anschlag hineindrücken und dann loslassen.

Drehzahlumschaltung (Abb. 6)

Das maximale Luftvolumen kann durch Drehen des Stellrads eingestellt werden. Dieser Vorgang kann bei laufendem Werkzeug durchgeführt werden. Auf dem Stellrad sind die Positionen 1 (niedrigste Stufe) bis 6 (höchste Stufe) markiert.

BEMERKUNG:

- Das Drehzahl-Stellrad lässt sich nur bis 6 und zurück auf 1 drehen. Wird es gewaltsam über 6 oder 1 hinaus gedreht, kann die Drehzahleinstellfunktion unbrauchbar werden.

Bei Arbeiten unter hohen Temperaturbedingungen kann das Werkzeug durch den Überhitzungsschutz ausgeschaltet werden. Lassen Sie das Werkzeug in diesem Fall abkühlen. Vermeiden Sie die Einstellung auf Stufe 6 (höchste Stufe) bei hohen Temperaturbedingungen.

ZUSAMMENBAU

VORSICHT:

- Vergewissern Sie sich vor der Ausführung von Arbeiten am Werkzeug stets, dass das Werkzeug ausgeschaltet und der Akku abgenommen ist.

Anbringen der langen Düse (Abb. 7 und 8)

Zum Anbringen der langen Düse:

1. Richten Sie den kleinen Vorsprung am Gehäuse auf die Nut der langen Düse aus.
2. Schieben Sie die lange Düse hinein, und drehen Sie sie im Uhrzeigersinn, bis die Dreiecksmarkierungen an der langen Düse und dem Gehäuse einander gegenüber stehen.

Die Länge der Düse kann durch Verändern der Verriegelungsposition eingestellt werden.

Anbringen des Schulterriemens (Sonderzubehör) (Abb. 9)

Haken Sie den Schulterriemen in den Aufhänger des Werkzeugs ein. Stellen Sie vor der Benutzung die Länge des Riemens ein, um bequem arbeiten zu können.

BETRIEB

Blasen (Abb. 10)

VORSICHT:

- Legen Sie das Blasgerät nicht im eingeschalteten Zustand auf den Boden. Sand oder Staub können durch den Saugeinlass eindringen und Verletzungen verursachen.

Halten Sie das Blasgerät mit einer Hand fest, und führen Sie die Blasarbeit aus, indem Sie es langsam schwenken.

Wenn Sie die Umgebung eines Gebäudes, eines großen Steins oder Fahrzeugs säubern, richten Sie die Düse vom Objekt weg.

Um eine Ecke zu säubern, beginnen Sie im Inneren der Ecke, und bewegen Sie sich dann aus der Ecke heraus.

WARTUNG

VORSICHT:

- Vergewissern Sie sich vor der Durchführung von Inspektions- oder Wartungsarbeiten stets, dass das Werkzeug ausgeschaltet und der Akku abgenommen ist.
- Verwenden Sie auf keinen Fall Benzin, Waschbenzin, Verdünnern, Alkohol oder dergleichen. Solche Mittel können Verfärbung, Verformung oder Rissbildung verursachen.

Reinigen (Abb. 11)

Wischen Sie die Außenseite des Werkzeugs von Zeit zu Zeit mit einem mit Seifenwasser getränkten Tuch ab.

Um die SICHERHEIT und ZUVERLÄSSIGKEIT dieses Produkts zu aufrechtzuerhalten, sollten Reparaturen und andere Wartungs- oder Einstellarbeiten nur von Makita-Kundendienstzentren unter ausschließlicher Verwendung von Makita-Originalersatzteilen ausgeführt werden.

SONDERZUBEHÖR

VORSICHT:

- Die folgenden Zubehörteile oder Vorrichtungen werden für den Einsatz mit dem in dieser Anleitung beschriebenen Makita-Werkzeug empfohlen. Die Verwendung anderer Zubehörteile oder Vorrichtungen kann eine Verletzungsgefahr darstellen. Verwenden Sie Zubehörteile oder Vorrichtungen nur für ihren vorgesehenen Zweck.

Wenn Sie weitere Einzelheiten bezüglich dieser Zubehörteile benötigen, wenden Sie sich bitte an Ihre Makita-Kundendienststelle.

- Original-Makita-Akku und -Ladegerät
- Schulterriemen

HINWEIS:

- Manche Teile in der Liste können als Standardzubehör im Werkzeugpaket enthalten sein. Sie können von Land zu Land unterschiedlich sein.

ENG108-1

Geräusch

Typischer A-bewerteter Geräuschpegel ermittelt gemäß EN50636:

Schalldruckpegel (L_{pA}): 79,1 dB (A)
Ungewissheit (K): 1,8 dB (A)
Schalleistungspegel (L_{WA}): 93,5 dB (A)
Ungewissheit (K): 2,3 dB (A)

Einem Gehörschutz tragen

ENG900-1

Schwingungen

Schwingungsgesamtwert (Drei-Achsen-Vektorsumme) ermittelt gemäß EN50636:

Arbeitsmodus: Betrieb ohne Last
Schwingungsemission (a_{hV}): 2,5 m/s² oder weniger
Ungewissheit (K): 1,5 m/s²

ENG901-1

- Der angegebene Schwingungsemissionswert wurde im Einklang mit der Standardprüfmethode gemessen und kann für den Vergleich zwischen Werkzeugen herangezogen werden.
- Der angegebene Schwingungsemissionswert kann auch für eine Vorbewertung des Gefährdungsgrads verwendet werden.

WARNUNG:

- Die Schwingungsemission während der tatsächlichen Benutzung des Elektrowerkzeugs kann je nach der Benutzungsweise des Werkzeugs vom angegebenen Emissionswert abweichen.
- Identifizieren Sie Sicherheitsmaßnahmen zum Schutz des Benutzers anhand einer Schätzung des Gefährdungsgrads unter den tatsächlichen Benutzungsbedingungen (unter Berücksichtigung aller Phasen des Arbeitszyklus, wie z. B. Ausschalt- und Leerlaufzeiten des Werkzeugs zusätzlich zur Betriebszeit).

Nur für europäische Länder

EG-Konformitätserklärung

Makita erklärt, dass die folgende(n) Maschine(n):

Bezeichnung der Maschine:

Gebläse

Modell-Nr./Typ: DUB362

Technische Daten: Siehe Tabelle „TECHNISCHE DATEN“.

den folgenden europäischen Richtlinien entspricht:

2000/14/EG, 2006/42/EG

Sie werden gemäß den folgenden Standards oder standardisierten Dokumenten hergestellt:

EN15503

Die technische Akte in Übereinstimmung mit 2006/42/EG ist erhältlich von:

Makita, Jan-Baptist Vinkstraat 2, 3070, Belgien

Das von der Richtlinie 2000/14/EG geforderte Konformitätsbewertungsverfahren war in Übereinstimmung mit Anhang V.

Gemessener Schalleistungspegel: 93,5 dB (A)

Garantierter Schalleistungspegel: 96 dB (A)

2.9.2014



Yasushi Fukaya
Direktor

Makita, Jan-Baptist Vinkstraat 2, 3070, Belgien

BAKIM

⚠ DİKKAT:

- Kontrol ya da bakım yapmadan önce aletin kapalı ve batarya kartuşunun çıkarılmış olduğundan daima emin olun.
- Benzin, tiner, alkol ve benzeri maddeleri kesinlikle kullanmayın. Renk değişimi, deformasyon veya çatlaklar oluşabilir.

Temizleme (Şek. 11)

Zaman zaman aletin dışını sabunlu suyla hafifçe ıslatılmış bir bezle silin.

Aleti EMNİYETLİ ve ÇALIŞMAYA HAZIR durumda tutmak için onarımlar, başka her türlü bakım ve ayarlamalar daima Makita yedek parçaları kullanılarak Makita yetkili servis merkezleri tarafından yapılmalıdır.

İSTEĞE BAĞLI AKSESUARLAR

⚠ DİKKAT:

- Bu aksesuarlar ve ek parçalar bu el kitabında belirtilen Makita aletiniz ile kullanılmak için tavsiye edilmektedir. Herhangi başka bir aksesuar ya da ek parça kullanılması insanlar için bir yaralanma riski getirebilir. Aksesuarları ya da ek parçaları yalnızca belirtilmiş olan kullanım amaçlarına uygun olarak kullanın.

Bu aksesuarlarla ilgili daha fazla bilgiye ihtiyaç duyarsanız bulunduğunuz yerdeki Makita servis merkezi başvurun.

- Orijinal Makita batarya ve şarj aleti
- Omuz kayışı

NOT:

- Listedeki bazı parçalar standart aksesuar olarak ürün paketinin içine dahil edilmiş olabilir. Aksesuarlar ülkeden ülkeye farklılık gösterebilir.

ENG108-1

Gürültü

EN50636 standardına göre belirlenen tipik A-ağırlıklı gürültü düzeyi:

- Ses basınç seviyesi (L_{pa}): 79,1 dB (A)
- Belirsizlik (K): 1,8 dB (A)
- Ses güç seviyesi (L_{WA}): 93,5 dB (A)
- Belirsizlik (K): 2,3 dB (A)

Kulak koruyucusu takın

ENG900-1

Titreşim

EN50636 standardına göre hesaplanan titreşim toplam değeri (üç eksenli vektör toplamı):

- Çalışma modu: yüksüz çalışma
- Titreşim emisyonu (a_h): 2,5 m/s² den az
- Belirsizlik (K): 1,5 m/s²

ENG901-1

- Beyan edilen titreşim emisyon değeri standart test yöntemine uygun şekilde ölçülmüştür ve bir aleti bir başkasıyla karşılaştırmak için kullanılabilir.
- Beyan edilen titreşim emisyon değeri bir ön maruz kalma değerlendirmesi olarak da kullanılabilir.

⚠ UYARI:

- Bu elektrikli aletin gerçek kullanımı sırasındaki titreşim emisyonu aletin kullanım biçimlerine bağlı olarak beyan edilen emisyon değerinden farklı olabilir.
- Gerçek kullanım koşullarındaki maruz kalmanın bir tahmini hesaplaması temelinde operatörü koruyacak güvenlik önlemlerini mutlaka belirleyin (çalışma döngüsü içerisinde aletin kapalı olduğu ve aktif durumda olmasının yanı sıra boşta çalıştığı zamanlar gibi, bütün zaman dilimleri göz önünde bulundurularak değerlendirilmelidir).

ENH021-8

Sadece Avrupa ülkeleri için

EC Uygunluk Beyanı

Biz Makita Corporation beyan ederiz ki aşağıdaki makine(ler):

Makine Adı:
Akülü Üfleynici
Model No./ Tipi: DUB362
Teknik özellikler: Bkz. "ÖZELLİKLER" tablosu.

Aşağıdaki Avrupa Direktiflerine uygundur:
2000/14/EC, 2006/42/EC

Aşağıdaki standartlara veya standartlaştırılmış belgelere uygun olarak imal edilmişlerdir:

EN15503

2006/42/EC uyumluluğuna ilişkin teknik dosyaya şuradan ulaşılabilir:

Makita, Jan-Baptist Vinkstraat 2, 3070, Belçika
2000/14/EC Direktifinin gerektirdiği uygunluk değerlendirme prosedürü Ek VIII'e uygundur
Ölçülen ses güç seviyesi: 93,5 dB (A)
Beklenen ses güç seviyesi: 96 dB (A)

2.9.2014



Yasushi Fukaya
Müdür

Makita, Jan-Baptist Vinkstraat 2, 3070, Belçika

Makita Jan-Baptist Vinkstraat 2, 3070, Belgium
Makita Corporation Anjo, Aichi, Japan