

TECHNICAL INFORMATION



PRODUCT

P 1 / 3

Models No. ▶ UB121D / UB141D / UB181D

Description ▶ Cordless blower

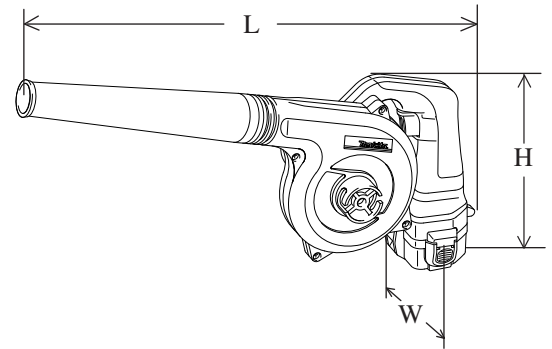
CONCEPTION AND MAIN APPLICATIONS

The above models are the series models of the existing Model UB120D and UB140D.

Their features are as follows.

- * UB121D : 12V with variable switch, without dial lock button
- * UB141D : 14.4V with variable switch, without dial lock button
- * UB181D : 18V with variable switch, without dial lock button

The variations of these models are as follows.



Model No.	Battery	Charger	Plastic case
UB121DZ	without	without	without
UB141DZ	without	without	without
UB181DZ	without	without	without

Dimensions : mm (")			
Model No.	UB121D	UB141D	UB181D
Width (W)	155 (6-1/8)	155 (6-1/8)	155 (6-1/8)
Height (H)	203 (8)	208 (8-3/16)	212 (8-3/8)
Length (L)	516 (20-5/16)	516 (20-5/16)	530 (20-7/8)

Specification

Model No.	UB121D	UB141D	UB181D
Voltage (V)	12	14.4	18
No load speed : min ⁻¹ = rpm.	0 - 18,000	0 - 18,000	0 - 18,000
Air volume : m ³ /s (m ³ /min.)	0.038 (2.3)	0.038 (2.3)	0.038 (2.3)
Air pressure : kPa (mmH ₂ O)	5.4 (550)	5.4 (550)	5.4 (550)

Charging time < Note > The following figures may differ depending on conditions of battery or outside temperature.

Model No.	Battery type No.	Charging time with DC1411	Charging time with DC1439	Charging time with DC1422	Charging time with DC1801
UB121D	1200 (1.3Ah Ni-Cd.)	40 min.	10 min.	45 min.	40 min.
	1202 (2.0Ah Ni-Cd.)	60 min.	16 min.	70 min.	60 min.
	1202A (2.0Ah Ni-Cd.)	60 min.	16 min.	70 min.	60 min.
	1220 (1.3Ah Ni-Cd.)	40 min.	10 min.	45 min.	40 min.
	1222 (2.0Ah Ni-Cd.)	60 min.	16 min.	70 min.	60 min.
	1233 (2.2Ah Ni-MH.)	65 min.	20 min.	75 min.	65 min.
	1234 (2.6Ah Ni-MH.)	75 min.	25 min.	85 min.	75 min.
	1235 (3.0Ah Ni-MH.)	90 min.	30 min.	100 min.	90 min.
UB141D	1420 (1.3Ah Ni-Cd.)	40 min.	10 min.	45 min.	40 min.
	1422 (2.0Ah Ni-Cd.)	60 min.	16 min.	70 min.	60 min.
	1433 (2.2Ah Ni-MH.)	65 min.	20 min.	75 min.	65 min.
	1434 (2.6Ah Ni-MH.)	75 min.	25 min.	85 min.	75 min.
	1435 (3.0Ah Ni-MH.)	90 min.	30 min.	100 min.	90 min.
UB181D	1822 (2.0Ah Ni-Cd.)				60 min.
	1833 (2.2Ah Ni-MH.)				65 min.
	1834 (2.6Ah Ni-MH.)				75 min.
	1835 (3.0Ah Ni-MH.)				90 min.

Standard equipment

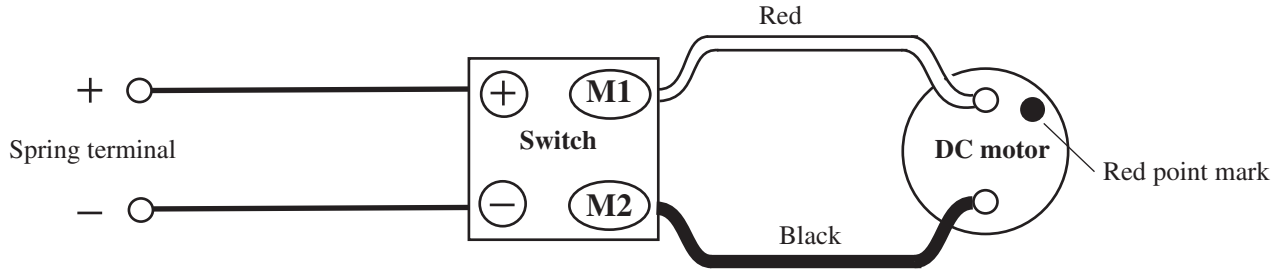
* Nozzle 1 pc.

< Note > The standard equipment for the tool shown may differ from country to country.

Optional accessories

- | | | |
|---------------------|--------------------------------|---|
| * Dust bag | * Anchor nozzle | * Battery 1222, 1233, 1234, 1235, 1220, 1200, 1202, 1202A |
| * Long nozzle | * Set plate (only for UB212D) | * Battery 1422, 1433, 1434, 1435, 1420 |
| * Flexible hose set | * Battery cover | * Battery 1822, 1833, 1834, 1835 |
| * Charger DC1411 | * Charger DC1801 | * Automotive charger DC1422 * Fast charger DC1439 |

► **Circuit diagram**



► **Wiring diagram**

- (1) Connection of lead wire to DC motor
- * Adjust the hole of motor rubber ring B to the red point mark of DC motor so that the red point mark can be recognized through the hole of motor rubber ring B.

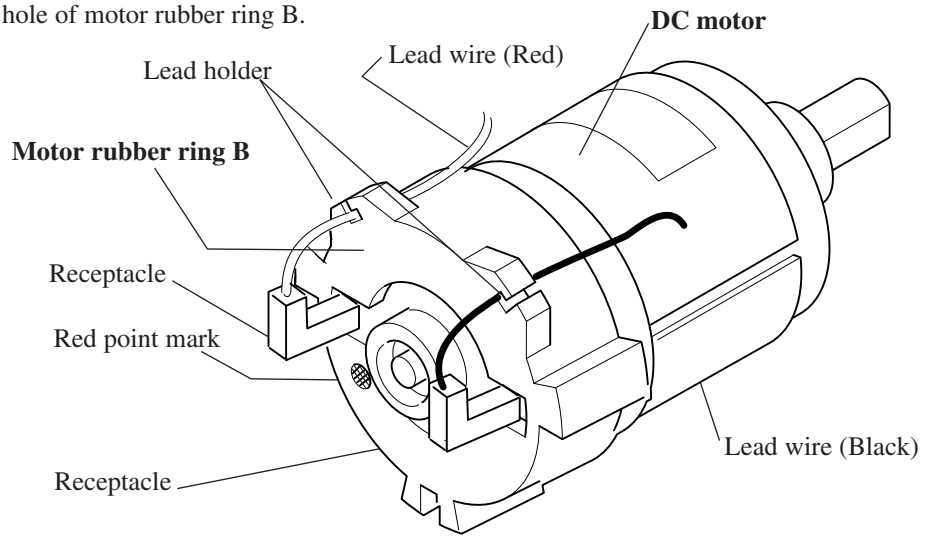


Fig. 5

- * Lead wire (Red) has to be connected to the terminal of red point mark side.(see Fig.5)
- * Receptacles have to be assembled so that the lead wires can be guided through the lead holders smoothly. (see Fig.6)

- (2) Setting lead wires at the opening of motor housing
- Lead wires (Red and Black) have to be set in the lead holder without slack.

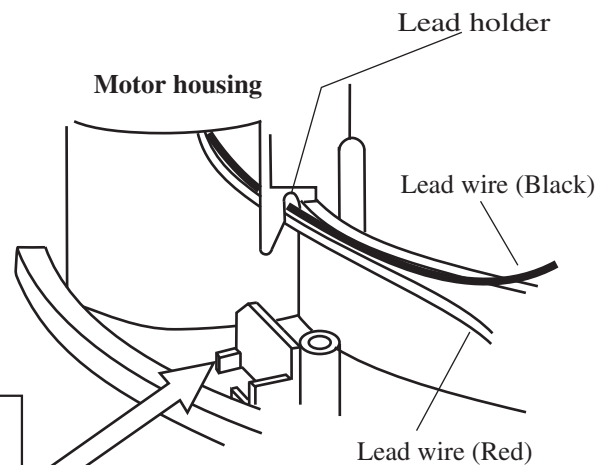
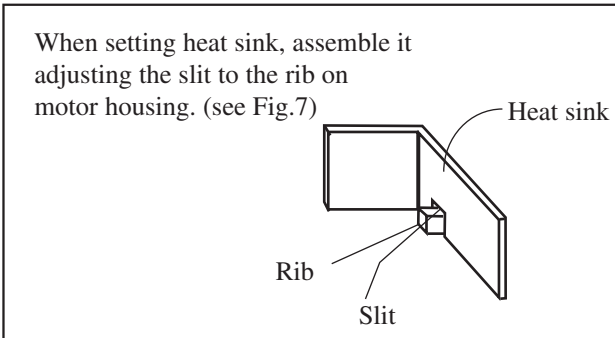
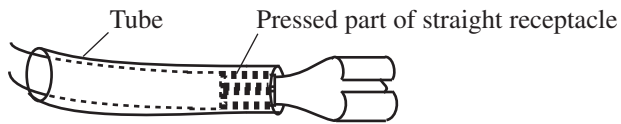


Fig. 7



(3) Setting lead wires in the handle



Straight receptacle has to be covered to the pressed part with tube.

