

TECHNICAL INFORMATION



PRODUCT

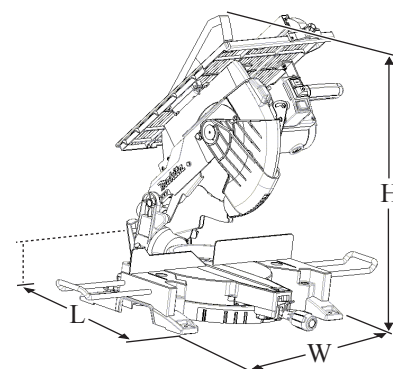
P 1 / 3

Models No. ▶ LH1200FL

Description ▶ 305mm Table Top Miter Saw

CONCEPT AND MAIN APPLICATIONS

Model LH1200FL is the first 305mm Table Top Miter Saw from Makita, featuring the largest cutting capacity in its class.



Dimensions: mm (")	
Length (L)	610 (24)
Width (W)	535 (21)
Height (H)	692 (27-1/4)

► Specification

Voltage (V)	Current (A)	Cycle (Hz)	Continuous Rating (W)		Max. Output (W)
			Input	Output	
110	16	50/ 60	1,650	---	---
120	15	50/ 60	---	---	---
127	14	50/ 60	1,650	---	---
220	8.2	50/ 60	1,650	---	---
230	8	50/ 60	1,650	---	---

No load speed: min. ⁻¹ = rpm.	3,800	
Saw blade: mm (")	Diameter	305 (12)
	Hole diameter	European countries: 30.0 (1-3/16) Other countries : 25.4 (1)
Capacity: mm (")	Table saw	52 (2-1/16)
	Miter saw	See the table below.
Electronic control	Constant speed	No
	Soft start	Yes
Electric brake	Yes	
LED job light	Yes	
Laser marker	Yes	
Protection against electric shock	Double insulation	
Power supply cord: m (ft)	2.5 (8.2)	
Weight according to EPTA-Procedure 01/2003: kg (lbs)	20.7 (45.6)	

► Standard equipment

TCT saw blade 305	1
Vertical vise	1
Dust bag	1
Guide Rule assembly	1
Ring	1
Triangular rule	1
Push stick	1
Blade cover	1
Socket wrench 13	1
Holder set	1

Note: The standard equipment for the tool shown above may vary by country.

► Optional accessories

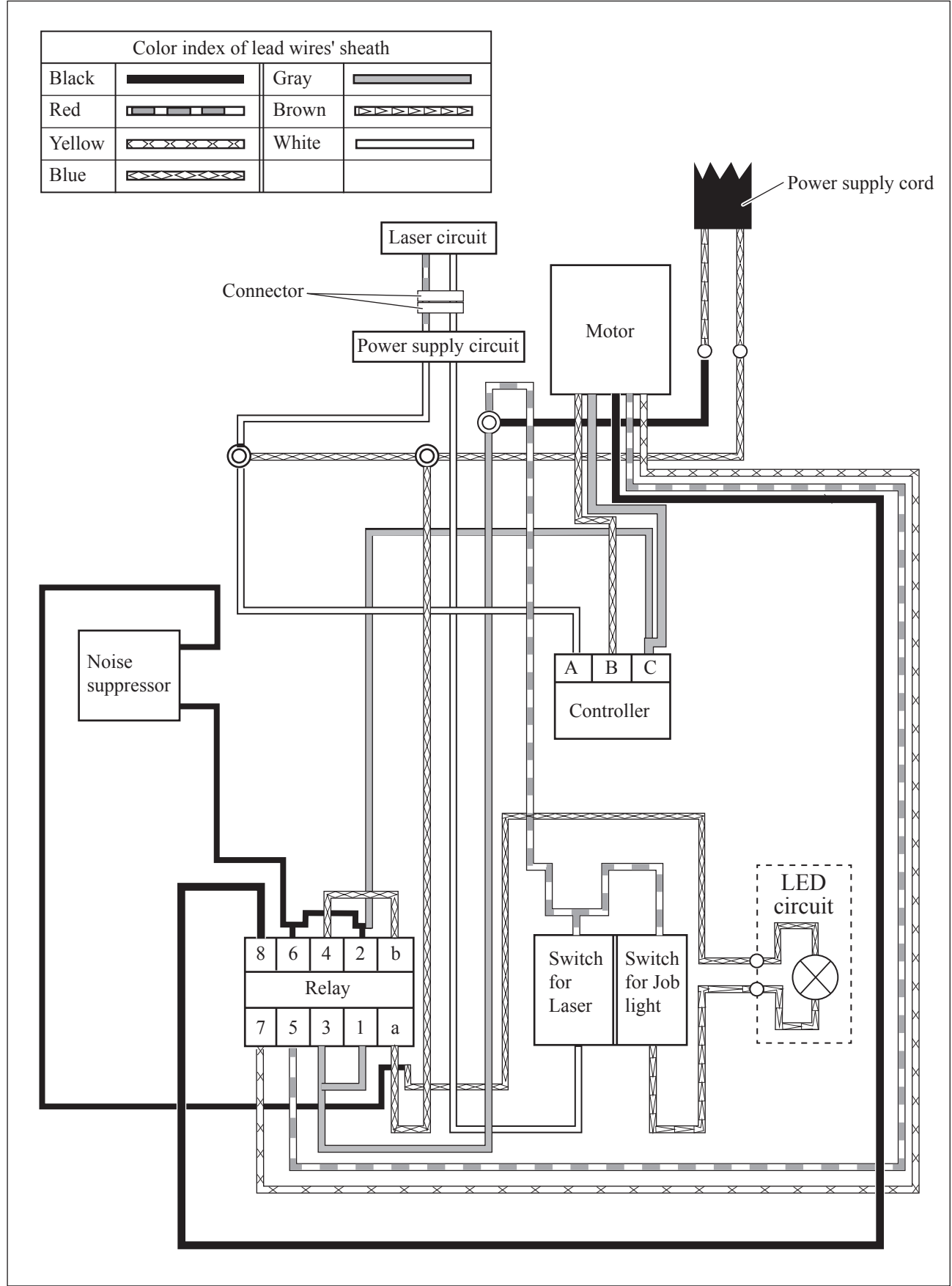
Horizontal vise
Holder set
TCT saw blades

Cutting capacity as Miter Saw: mm (")

Bevel angle Miter angle	45° Left	0°
	0°	40 x 200 (1-9/16 x 7-7/8) 64 x 155 (2-1/2 x 6-1/8)
45° Left	40 x 125 (1-9/16 x 4-7/8) 64 x 65 (2-1/2 x 2-9/16)	62 x 135 (2-7/16 x 5-5/16) 95 x 110 (3-3/4 x 4-5/16)
45° Right	40 x 125 (1-9/16 x 4-7/8)	62 x 135 (2-7/16 x 5-5/16) 95 x 110 (3-3/4 x 4-5/16)
with 35 (1-3/8) auxiliary wood facing	64 x 65 (2-1/2 x 2-9/16)	

► Circuit diagram

High Voltage Area



► **Circuit diagram**

Low Voltage Area

